

Spare parts list			
No	Part Number	Description(EN)	Qty
1	8007-0001	Clutch Lever	1
2	8007-0002	Handlebar Grip	2
3	8007-0003	Flange Bolt M8 x 20	2
4	8007-0004	Bolt M6 x 35	2
6	8007-0006	Reverse Clutch Cable	1
7	8007-0007	Handlebar	1
8	8007-0008	Forward Clutch Cable	1
9	8007-0009	Bolt M6 x 60	1
10	8007-0010	Throttle Switch	1
11	8007-0011	The Accelerator Components In Hand	1
12	8007-0012	Self-tapping Screw M3 x 20	2
13	8007-0013	Rivet	1
14	8007-0014	Throttle Cable	1
15	8007-0015	Locknut M8	7
16	8007-0016	Flat Washer Ø8	9
17	8007-0017	Tension Spring	2
19	8007-0019	Flat Washer Ø6	3
20	8007-0020	Locknut M6	4
21	8007-0021	Left Throttle Switch Box	1
22	8007-0022	Bolt M5 x 12	11
23	8007-0023	Right Throttle Switch Box	1
24	8007-0024	Engine	1
25	8007-0025	Resistance Pole	1
26	8007-0026	Flange Bolt M6 x 35	2
27	8007-0027	Left Extension Fenderboard	1
28	8007-0028	Flange Locknut M5	6
29	8007-0029	Spring Washer Ø8	4
30	8007-0030	B Uncork Pin Ø2.5 x 37	6
31	8007-0031	Fenderboard	1
32	8007-0032	Flange Locknut M8	16
33	8007-0033	Flange Bolt M8 x 16	9
34	8007-0034	Right Extension Fenderboard	1
35	8007-0035	Wheel Adjusting Pole	1
36	8007-0036	Wheel Bracket	1
37	8007-0037	Locknut M12	2
38	8007-0038	Flat Washer Ø12	4
39	8007-0039	Adjusting Press Spring	1
40	8007-0040	Gasket Ø10	2
41	8007-0041	Axle Bushing	2
42	8007-0042	B Uncork Pin Ø2 x 37	2
43	8007-0043	Wheel 7"	2
44	8007-0044	Bolt M12 x 65	2
45	8007-0045	Bushing, Fixation Board	1
46	8007-0046	Fixed Plate Connecting Plate	1
47	8007-0047	Bearing Seat	1
48	8007-0048	Flange Bolt M8 x 25	4
49	8007-0049	Fixation Board	1

50	8007-0050	Fixation Board, Big Gear	1
51	8007-0051	Bushing, Big Gear	1
52	8007-0052	Circlip 35	2
53	8007-0053	Bearing 6003	4
54	8007-0054	Big Gear	1
55	8007-0055	Fixation Washer, Big Gear	1
56	8007-0056	Bushing, Small Belt Wheel	1
57	8007-0057	Flat Washer Ø8 x Ø28 x 3	5
58	8007-0058	Small Gear	1
59	8007-0059	Tension Bushing	2
60	8007-0060	Flat Key 4.78 x 5 x 45	1
61	8007-0061	Reverse Tension Arm	1
62	8007-0062	Tension Pulley ( Reverse )	1
63	8007-0063	Bearing 628	1
64	8007-0064	Circlip 8	1
65	8007-0065	Circlip 24	1
66	8007-0066	Reverse Belt Z914Li	1
67	8007-0067	Belt Guard Assembly	1
68	8007-0068	Circlip 12	1
69	8007-0069	Circlip 28	1
70	8007-0070	Forward Tension Arm	1
71	8007-0071	Forward Belt Baffle	1
72	8007-0072	Bearing 6001	1
73	8007-0073	Forward Tension Pulley	1
74	8007-0074	Screw M6 x 16	1
75	8007-0075	Forward Small Belt Wheel	1
76	8007-0076	Bolt 5/16,1"-24	1
77	8007-0077	Bushing, Big Belt Wheel	1
78	8007-0078	Big Belt Wheel	1
79	8007-0079	Flat Key 5 x 5 x 35	1
80	8007-0080	Bolt M8 x 25	1
81	8007-0081	Forward Belt 17 x 1070	1
82	8007-0082	Back Belt Block Tube 1	2
83	8007-0083	Tension Bushing	1
84	8007-0084	Front Belt Block Tube	2
85	8007-0085	Belt Block Bushing	1
86	8007-0086	Big Belt Block Pole	1
87	8007-0087	Back Belt Block Tube 2	1
88	8007-0088	Belt Guard	1
89	8007-0089	Left Blade	12
90	8007-0090	Blade Holder 3	2
91	8007-0091	Right Blade	12
92	8007-0092	Blade Holder 2	2
93	8007-0093	Flange Bolt M8 x 45	4
94	8007-0094	Flange Bolt M8 x 40	6
95	8007-0095	Right Base	1
96	8007-0096	Pin Roll Ø10 x 40	1
97	8007-0097	Bushing, Case	8
98	8007-0098	Pin Roll Ø10 x 50	2
99	8007-0099	Flange Locknut M6	16

100	8007-0100	Right Case	1
101	8007-0101	Bearing 6206	2
102	8007-0102	Big Chain Wheel	1
103	8007-0103	Chain 08B-1-80	1
104	8007-0104	Left Case	1
105	8007-0105	Small Chain Wheel	1
106	8007-0106	Bushing, Small Chain Wheel	2
107	8007-0107	Bushing, Base	2
108	8007-0108	Flange Screw M6 x 16	16
109	8007-0109	Left Base	1
110	8007-0110	Nut M10 x 1	48
111	8007-0111	Spring Washer Ø10	48
112	8007-0112	Pin Roll Ø10 x 60	4
113	8007-0113	Bolt M10 x 1 x 25	48
114	8007-0114	Blade Holder 1	2
115	8007-0115	Handlebar Arm	2
116	8007-0116	Outer Hex Bolt M8 x 120	2
117	8007-0117	Handlebar Knob	2
118	8007-0118	Round Head Square Neck Ccrew M8	2
119	8007-0119	Flat Washer Ø5 x Ø16 x 1.5	1
120	8007-0120	The Throttle Switch Fixed Plate	1
121	8007-0121	Positioning Plate	1
122	8007-0122	Plug	2
123	8007-0123	Saddle Elastic Washer Ø10	1



# 汽油机零部件图册

PART CATALOGUE

<b>G160F(D)</b>	<b>LC168F(D)-I</b>
<b>G160F(D)-B</b>	<b>LC168F(D)-II</b>
<b>G160F(D)-C</b>	<b>LC168F(D)-IB</b>
<b>G200F(D)</b>	<b>LC168F(D)-IIB</b>
<b>G200F(D)-B</b>	<b>LC168F(D)-IC</b>
<b>G200F(D)-C</b>	<b>LC168F(D)-IIC</b>



版本号VERSION No.: 2012-01

隆鑫通用动力股份有限公司

LONCIN MOTOR CO.,LTD.

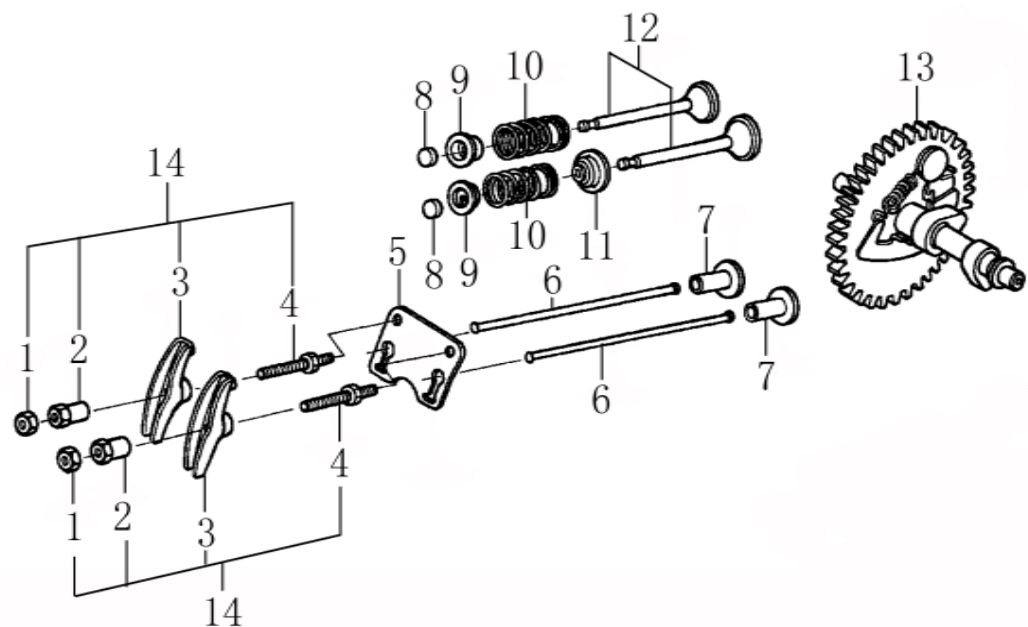






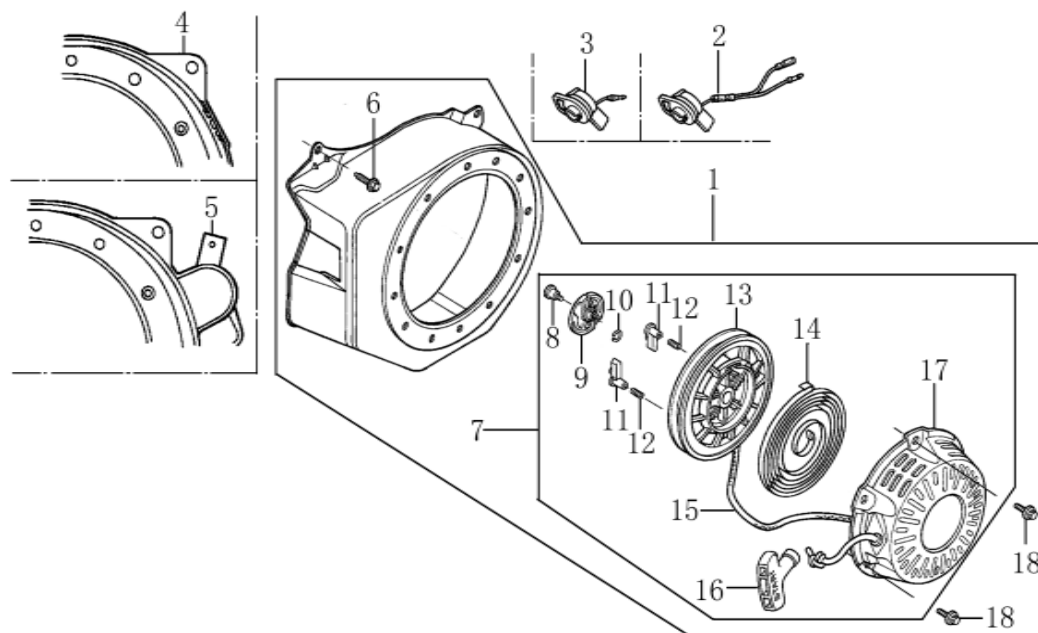






### 配气系统(GAS DISTRIBUTION ADJUSTMENT)

序号 No.	零部件图号 Part No.	零部件名称	Description	数量 (Reqd. QTY)			
				LC168F(D)-I	LC168F(D)-II	G160F(D)	G200F(D)
1	140470001-T040	气门锁紧螺母	NUT , PIVOT ADJUSTING	2	2	2	2
2	140490012-T040	气门调节螺母	PIVOT , ROCKER ARM	2	2	2	2
3	140460030-T040	(进)气门摇臂部件	ARM , VALVE ROCKER	2	2	2	2
4	140480012-T040	气门调节螺栓	BOLT , PIVOT ARM	2	2	2	2
5	140710001-T040	推杆限位板组合	PLATE , PUSH ROD GUIDE	1	1	1	1
6	140670004-T040	推杆组合	ROD , PUSH	2	2	2	2
7	140690002-T040	挺柱	LIFTER , VALVE	2	-	2	-
	140690003-T050	挺柱	LIFTER , VALVE	-	2	-	2
8	140320001-T040	气门调整帽	RATATOR , VALVE	2	2	2	2
9	140380017-T040	气门弹簧座	RETAINER , VALVE SPRING	2	2	2	2
10	140340022-T040	气门内弹簧	SPRING , VALVE	2	2	2	2
11	140400011-T040	挡油罩	SEAL , GUIDE	1	1	1	1
12	500550024-T040	气门套件	VALVE COMP.	1	1	1	1
13	140020038-T040	凸轮轴	CAMSHAFT ASSY.	1	-	1	-
	140020040-T050	凸轮轴	CAMSHAFT ASSY.	-	1	-	1
14	140450022-T040	气门摇臂组合	ARM COMP.	2	2	2	2

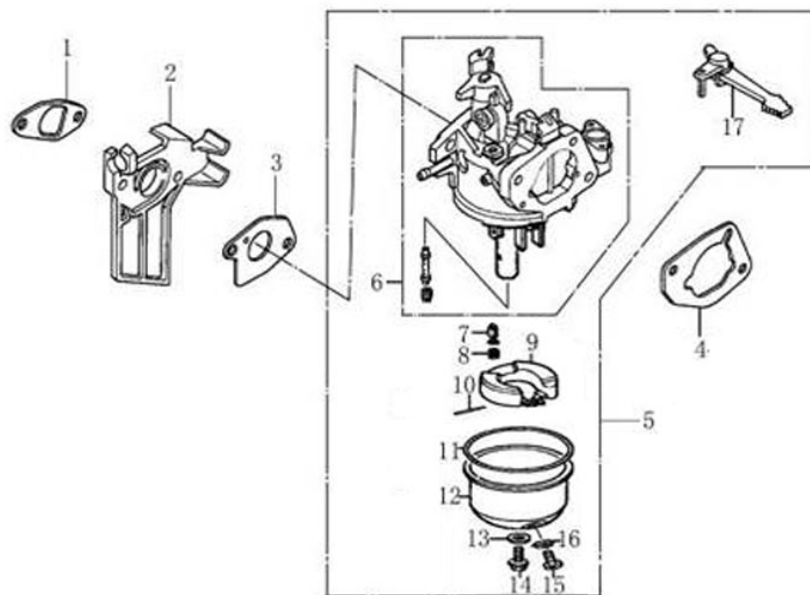


### 起动机组件 (STARTER SUBASSEMBLY)

序号 No.	零部件图号 Part No.	零部件名称	Description	数量 (Reqd. QTY)			
				LC168F(D)-I	LC168F(D)-II	G160F(D)	G200F(D)
1	193490011-T040	手起动组件	RECOIL STARTER COMP.	1	1	1	1
2	271660028-T040	熄火开关	SWITCH ASSY., ENGINE STOP(C	1	1	1	1
3	271660027-T040	熄火开关	SWITCH ASSY., ENGINE STOP	1	1	1	1
4	160210005-T040	风扇罩	COVER COMP., FAN	1	1	1	1
5	160210049-T041	风扇罩	COVER COMP., FAN	1	1	1	1
6	380140011-T040	螺栓 M6×10	BOLT, FLANGE 6×10	4	4	4	4
7	193500008-T040	手起动部件	STARTER ASSY.	1	1	1	1
8	380020067-T040	导向板紧固螺钉	SCREW, SETTING	1	1	1	1
9	193550003-T040	驱动导向板	GUIDE, RATCHET	1	1	1	1
10	381150342-T040	压簧	SPRING, FRICTION	1	1	1	1
11	193540003-T040	驱动凸轮	RATCHET, STARTER	2	2	2	2
12	381160090-T040	扭簧	SPRING, RETURN	2	2	2	2
13	193520003-T040	拉绳盘	REEL, RECOIL STARTER	1	1	1	1
14	193340018-T040	起动复位弹簧	SPRING, RECOIL STARTER	1	1	1	1
15	193530004-T040	拉绳	ROPE	1	1	1	1







### 化油器 (CARBURETOR)

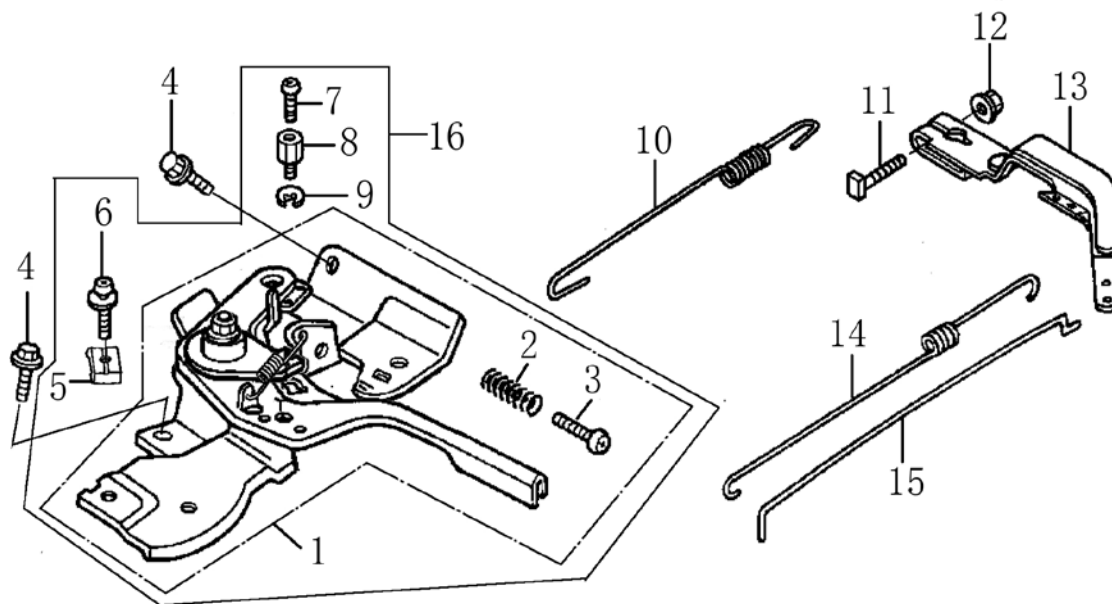
序号 No.	零部件图号 Part No.	零部件名称	Description	数量 (Reqd. QTY)			
				LC168F(D)-I	LC168F(D)-II	G160F(D)	G200F(D)
1	170430060-T05K	化油器密封垫	PACKING , INSULATOR	1	1	1	1
2	170440038-T040	化油器隔热垫	INSULATOR , CARBURETOR	1	1	1	1
3	170430048-T05K	化油器密封垫	PACKING ., CARBURETOR	1	1	1	1
4	170430065-T040	化油器密封垫	SPACER COMP., AIR CLEANER	1	1	1	1
5	170021066-T040	化油器	CARBURETOR	1	-	1	-
	170021086-T050	化油器	CARBURETOR	-	1	-	1
6	170160029-T040	化油器主体	CARBURETOR'S NOUMENON	1	-	1	-
	170160032-T050	化油器主体	CARBURETOR'S NOUMENON	-	1	-	1
7	170180050-T040	针阀	VALVE , FLOAT	1	1	1	1
8	381150336-T040	压簧	SPRING , VALVE SET	1	1	1	1
9	170280019-T040	浮子	FLOAT	1	1	1	1
10	170290017-T040	浮子销	PIN , FLOAT	1	1	1	1
11	380840455-T040	密封圈	GASKET , OIL CUP	1	1	1	1
12	170250021-T040	浮子室	OIL CUP	1	1	1	1
13	380450539-T040	平垫圈	GASKET , OIL CUP BOLT	1	1	1	1







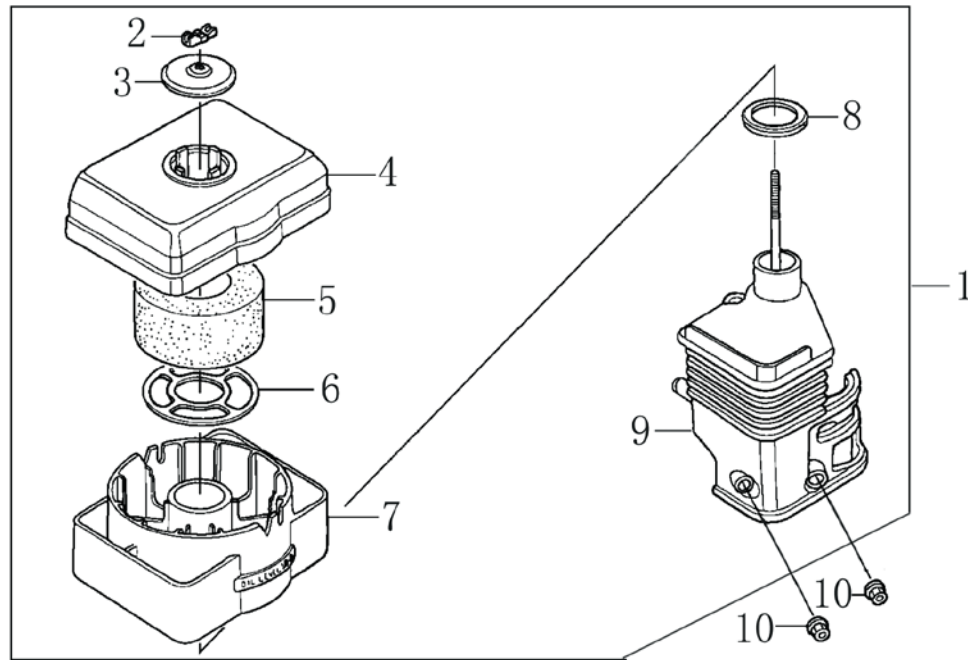




### 调速控制系统 (CONTROL SYSTEM)

序号 No.	零部件图号 Part No.	零部件名称	Description	数量 (Reqd. QTY)			
				LC168F(D)-I	LC168F(D)-II	G160F(D)	G200F(D)
1	171680006-T040	油门操纵手柄组合	CONTROL ASSY.	1	1	1	1
2	171660001-T040	限位调节弹簧	SPRING	1	1	1	1
3	380200017-T040	十字槽盘头螺钉	SCREW, 5x35	1	1	1	1
4	380140011-0004	六角法兰面螺栓M6x10	BOLT, FLANGE	2	2	2	2
5	171710004-T040	拉索压板	HOLDER, CABLE	1	1	1	1
6	380200010-0005	十字槽盘头螺钉	SCREW, 5x25	1	1	1	1
7	380200037-0003	十字槽盘头螺钉	SCREW, 4x6	1	1	1	1
8	171720001-0001	拉索卡	HOLDER, WIRE	1	1	1	1
9	380570018-0002	开口挡圈	CIRCLIP	1	1	1	1
10	171600036-T040	调速弹簧(拉簧A)	SPRING, GOVERNOR	1	1	1	1
11	380250002-T040	调速支架固定(方头)螺栓	BOLT, QUADRATE HEAD	1	1	1	1
12	380370048-0001	六角法兰面螺母M6	NUT, FLANGE	1	1	1	1
13	171620001-T040	调速支架	ARM, GOVERNOR	1	1	1	1
14	171610002-T040	节气门复位弹簧	SPRING, THROTTLE RETUR	1	1	1	1
15	171590002-T040	油门拉杆	ROD, GOVERNOR	1	1	1	1
16	171680011-T040	油门操纵手柄组合(微耕机用)	CONTROL ASSY.	1	1	1	1



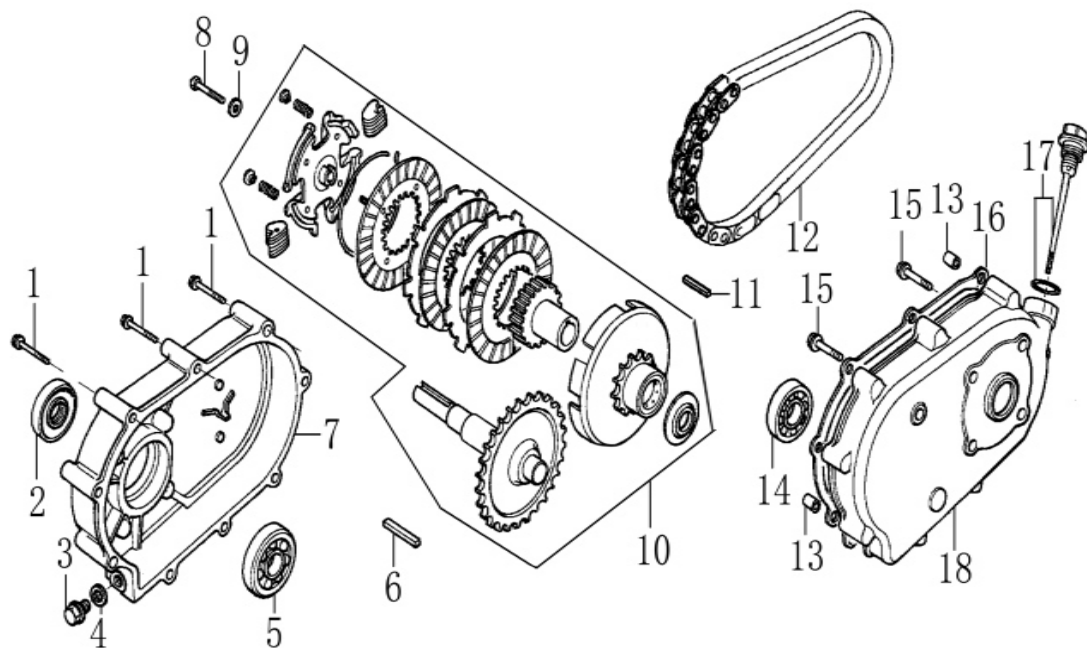


### 空滤器 (AIR CLEANER)

序号 No.	零部件图号 Part No.	零部件名称	Description	数量 (Reqd. QTY)			
				LC168F(D)-I	LC168F(D)-II	G160F(D)	G200F(D)
1	180020320-0001	空滤器	AIR CLEANER ASSY	1	1	1	1
2	380440002-T040	蝶型螺母 M6	NUT , TOOL BOX SETTING	1	1	1	1
3	180220016-0001	空滤器压板	CAP,CLEANER	1	1	1	1
4	180070172-0001	空滤器壳体盖	COVER , AIR CLEANER	1	1	1	1
5	180100041-0001	空滤器滤芯组合	ELEMENT ASSY. , AIR CLEANER	1	1	1	1
6	183010001-0001	空滤器滤芯支撑板	GRID,AIRCLEANER	1	1	1	1
7	180330040-0001	滤芯支撑板体	NOSE , SILENCER	1	1	1	1
8	380840437-T040	密封圈	PACKING , ELBOW	1	1	1	1
9	180280030-0001	空滤器座	ELBOW COMP., AIR CLEANER	1	1	1	1
10	380370048-T040	六角法兰面螺母M6	NUT , FLANGE , 6MM	2	2	2	2
11							
12							
13							
14							
15							





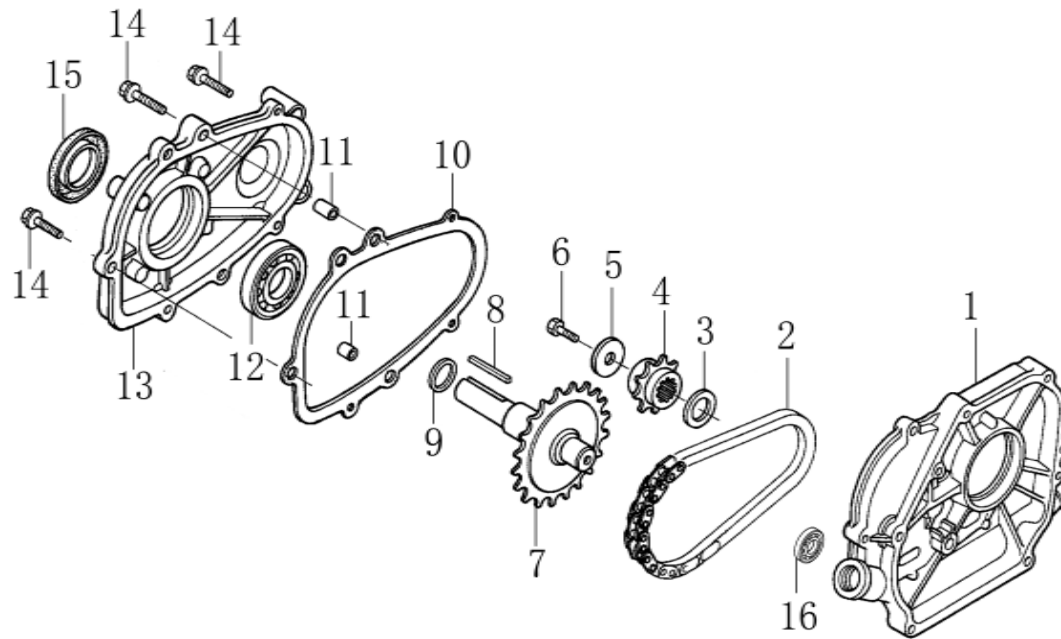


### 离合器减速箱(CLUTCH RETARDER)

序号 No.	零部件图号 Part No.	零部件名称	Description	数量 (Reqd. QTY)			
				LC168F(D)-IB	LC168F(D)-IIB	G160F(D)-B	G200F(D)-B
1	380140186-0004	六角头法兰面螺栓	BOLT , FLANGE , 6x55	9	9	9	9
2	380650343-T042	油封30x50x8	OIL SEAL,30x50x8	1	1	1	1
3	110260024-T110	密封螺塞M12X1.5X15	BOLT , DRAIN PLUG	1	1	1	1
4	380450516-0001	平垫圈12X20X2	WASHER , DRAIN PLUG	1	1	1	1
5	380630140-0002	轴承6206	BEARING , RADIAL BALL	1	1	1	1
6	380620033-T042	键5X5X40	KEY 5X5X40	1	1	1	1
7	191920001-T042	减速箱盖	RETARDER CASE COVER	1	1	1	1
8	380140358-T042	六角头法兰面螺栓	BOLT , FLANGE , 8x30	1	1	1	1
9	380450566-T042	平垫圈	WASHER ,HOLDER , 8.4x16x1.5	1	1	1	1
10	190010111-T042	离合器组件	CLUTCH ASSY.	1	1	1	1
11	380620032-T042	键 5X5X33	KEY 5X5X33	1	1	1	1
12	260010131-T042	链条	CHAIN , RETARDER	1	1	1	1
13	380600120-T041	定位销 8x14	PIN , DOWEL ,8x14	2	2	2	2
14	380630137-T042	轴承6205	BEARING , RADIAL BALL	1	1	1	1
15	380140004-T042	六角头法兰面螺栓	BOLT , FLANGE 8x20	5	5	5	5







### 减速箱(RETARDER)

序号 No.	零部件图号 Part No.	零部件名称	Description	数量 (Reqd. QTY)			
				LC168F(D)-IC	LC168F(D)-IIC	G160F(D)-C	G200F(D)-C
1	110820015-T044	曲轴箱盖	CASE COVER	1	1	1	1
2	260010132-T044	链条(双34)	CHAIN,RETARDER	1	1	1	1
3	380450517-T044	平垫圈20.5x39x3.1	WASHER	1	1	1	1
4、7	191950002-T044	减速箱主动轮	CHAIN WHEEL	1	1	1	1
5	380450524-T520	平垫圈8.5x23x3	WASHER	1	1	1	1
6	380140093-T044	六角头法兰面螺栓	BOLT 8x30	1	1	1	1
7	191960002-T044	减速箱输出轴组合	OUTPUT SHAFT	1	1	1	1
8	380620058-0001	键 5X5X33	KEY 5X5X33	1	1	1	1
9	380450523-T044	平垫圈20x30x0.3	WASHER	1	1	1	1
10	191930006-T044	减速箱盖纸垫	PACKING	1	1	1	1
11	380600120-T040	定位销φ8x14	PIN	2	2	2	2
12	380630137-T044	轴承6205	BEARING , RADIAL BALL	1	1	1	1
13	191920002-T044	减速箱盖	COVER	1	1	1	1
14	380140028-T044	六角头法兰面螺栓	BOLT 8x32	6	6	6	6
15	380650334-T040	油封25x41.25x6	OIL SEAL	1	1	1	1
16	380630259-0001	轴承(滚针轴承)	BEARING , RADIAL BALL	1	1	1	1